



Euro Catalog

Effective June 2025



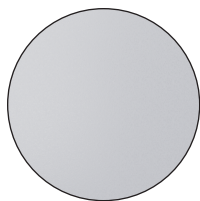
BUILT TOGETHER. BUILT TO LAST.

At Highland Cabinetry, we believe one cabinet can make all the difference. It can shape a customer's impression, impact a builder's reputation, and influence whether a client calls you back—or doesn't. That is why consistency is never optional for us. It is something we build into every product, every process, and every partnership. From the moment an order is placed to the final install, we are focused on helping you protect the trust you have worked so hard to earn. Because we own our entire supply chain, we control how materials are sourced, how every Euro cabinet is crafted, and exactly when it leaves our facility. That level of control keeps your timelines reliable, your quality consistent, and your business running smoothly.

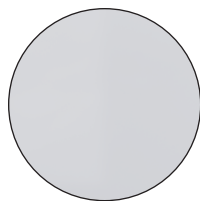
What truly sets Highland apart is the relationship we build with our customers. You will work with a dedicated account manager who understands the details of your business and helps make every order feel seamless. Our cabinets arrive complete, accurate, and ready to go—with no surprises. Behind the scenes, we are constantly investing in tools, service, and support that help you stay competitive and confident on every job. Everything we do is rooted in a culture of care, accountability, and pride in craftsmanship. When you choose Highland, you are not just buying Euro style cabinets. You are partnering with a team that is here to help you grow, protect your reputation, and build something that truly lasts.



FINISHES



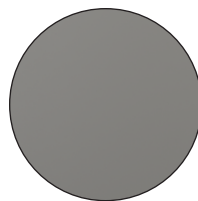
Frost White
PET (MDF)



Glacial White
PET (MDF)



Natural Walnut
Melamine (MDF)



Stone Grey
PET (MDF)



White Oak
Melamine (MDF)



Frost White
(matte finish)



Glacial White
(gloss finish)



Natural Walnut



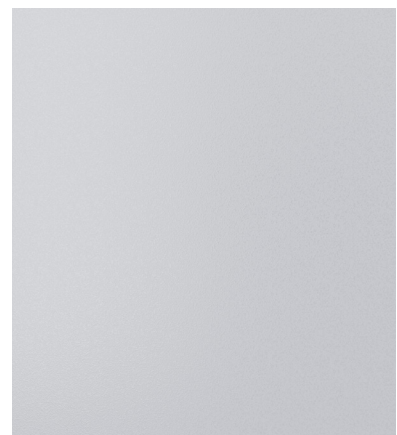
Stone Grey

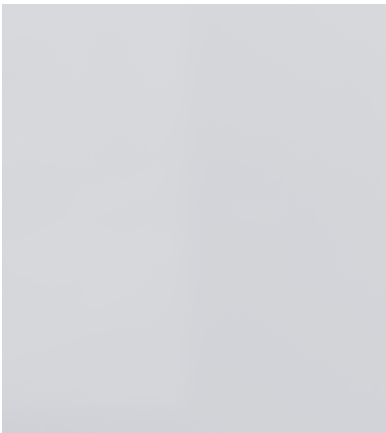


White Oak



FROST WHITE (matte)



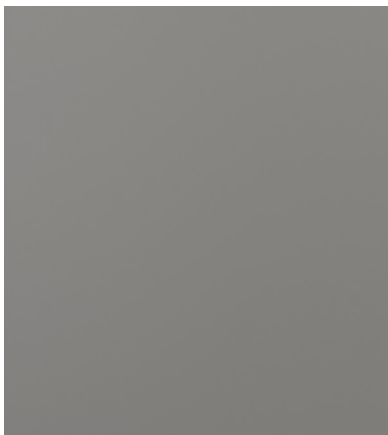


GLACIAL WHITE (gloss)



NATURAL WALNUT





STONE GREY



WHITE OAK



TABLE OF CONTENTS

Policies and Procedures.....	2
Construction Features.....	3
Wall Cabinets.....	4
Base Cabinets.....	12
Tall Cabinets.....	18
Vanity Cabinets.....	25
Trim.....	28
Fillers.....	29
Panels.....	30
False Doors.....	31
Mouldings.....	32
Accessories.....	33

POLICIES AND PROCEDURES

Design & Pricing Software

Highland Cabinetry Inc. offers a digital product catalog, including a version compatible with 2020 Design Software. These resources are available on our website at highlandcabinetry.com or upon request. Please note that Highland Cabinetry is not responsible for discrepancies between design software and actual pricing, or for issues resulting from inaccurate or incomplete customer-provided dimensions. We recommend verifying all measurements and specifications before placing an order.

Terms & Conditions

All pricing and specifications are subject to change without notice. Accepted payment methods include ACH, Check, Debit/Credit Card, or Account Credit with prior approval. To apply for credit, contact: accounting@highlandcabinetry.com.

Placing Orders

Orders may be submitted using our Excel order form, Customer Portal, or 2020 SKU lists. Orders will not be accepted over the phone. Dealers are responsible for verifying quote accuracy before approval. Orders ship based on available inventory unless otherwise noted. Changes or cancellations must be made within 24 hours of submission. Once assembled, all orders are non-refundable.

Delivery Options

- Pickup during business hours
- Highland Cabinetry delivery truck
- White-glove delivery (available in select markets for an additional fee)
- Common Carrier (scheduled by Highland or customer)
 - Preferred carriers must be requested at the time of order
 - Pallet fees apply; residential liftgates must be requested in advance.
 - Missed or refused deliveries may incur a rescheduling fee or storage costs.

Damages

Report damaged items within 30 days with photos and a sales order or PO number. Do not install damaged items. Installed or unreported damage is not eligible for credit. Without photos, full-price replacements will be charged, and credit issued once photos are received.

Lead Times & Cut-Offs

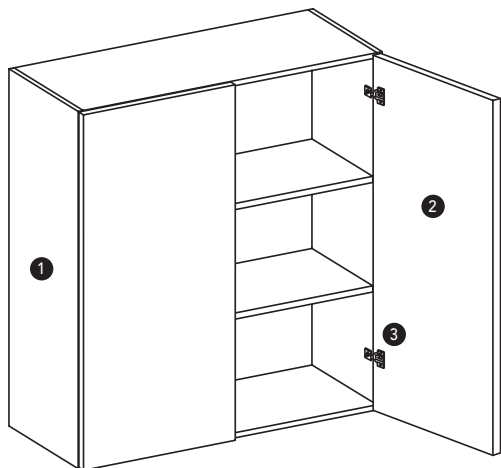
Cut-off time for same-day processing is 3:00 PM AZ time, Monday–Friday. Orders placed after this time will be processed the next business day.

Shipping Policies

If you arrange your own freight, Highland Cabinetry is not responsible for damage claims. Additional charges apply for challenging delivery conditions, missed pickups, and live loads.

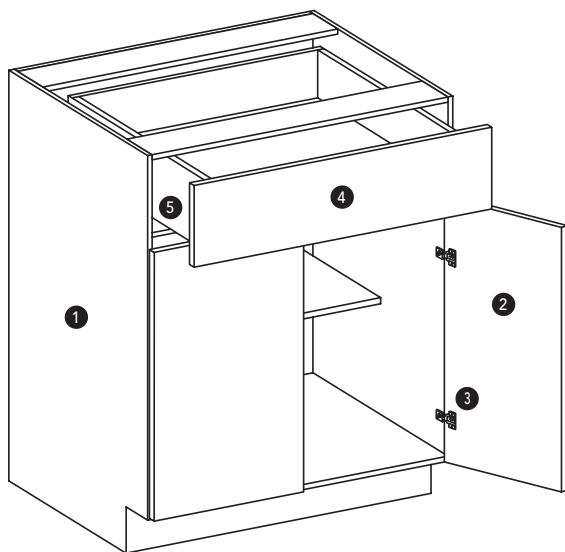


CONSTRUCTION FEATURES



- ❶ **Case:** ¾" white laminated engineered furniture board; screw-connected with wood dowel inserts.
- ❷ **Doors:** White Oak / Natural Walnut: Furniture board with laminated surface and PVC edgebanding. Frost White / Glacial White / Stone Grey: MDF core with PET face and laser edgebanding.
- ❸ **Hinges*:** Heavy-duty steel concealed hinge; adjustable with soft-close mechanism.
- ❹ **Drawers:** Metal drawer box with soft-close mechanism.
- ❺ **Glides:** Soft-close.

*42" Wall cabinets will have 3 hinges. All other Wall cabinets standard with 2 hinges.



WALL CABINETS

WALL CABINET NOMENCLATURE

W361824

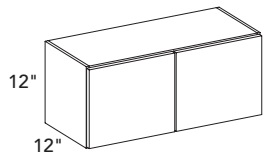
Cabinet Type Cabinet Width Cabinet Height Cabinet Depth

12" High Wall Cabinets	5
15" High Wall Cabinets	5
18" High Wall Cabinets	5
21" High Wall Cabinets	6
24" High Wall Cabinets	6
30" High Wall Cabinets	7
36" High Wall Cabinets	7
42" High Wall Cabinets	8
Wall Blind Corner Cabinets.....	9
Wall Diagonal Cabinets	10
Wall Easy Reach Cabinets.....	11

- Standard wall cabinets are 12" deep.
- Refrigerator cabinets are 24" deep.

NOTE: Illustrations depict Euro cabinets.

12" Wall, Double Door

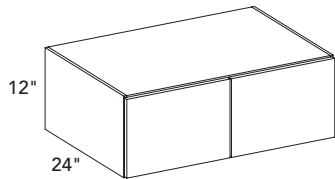


W3012

W3612

- Butt doors.

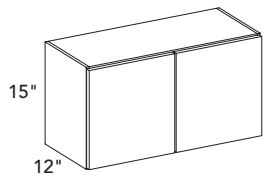
12" Wall Refrigerator, Double Door



W361224

- Butt doors.
- 24" depth cabinets must be securely fastened to wall through cabinet back and adjacent cabinets or wall through case or other proper mechanical fasteners.

15" Wall, Double Door

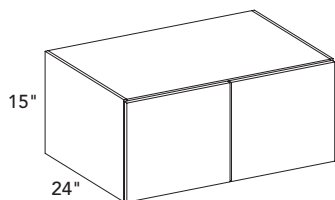


W3015

W3615

- Butt doors.

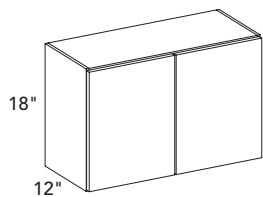
15" Wall Refrigerator, Double Door



W361524

- Butt doors.
- 24" depth cabinets must be securely fastened to wall through cabinet back and adjacent cabinets or wall through case or other proper mechanical fasteners.

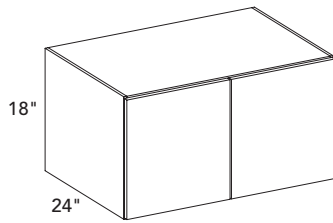
18" Wall, Double Door



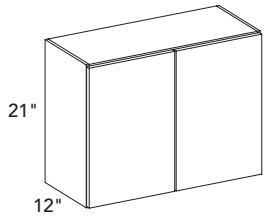
W3018

W3618

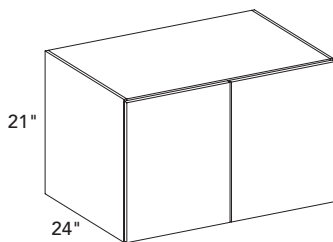
- Butt doors.

18" Wall Refrigerator, Double Door**W361824**

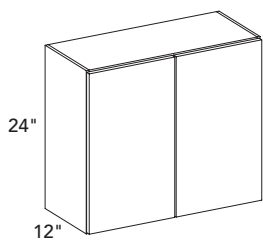
- Butt doors.
- 24" depth cabinets must be securely fastened to wall through cabinet back and adjacent cabinets or wall through case or other proper mechanical fasteners.

21" Wall, Double Door**W3021****W3621**

- Butt doors.

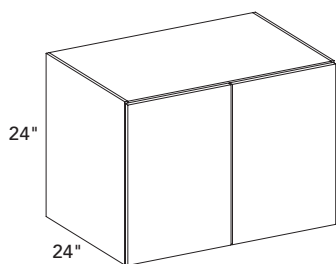
21" Wall Refrigerator, Double Door**W362124**

- Butt doors.
- 24" depth cabinets must be securely fastened to wall through cabinet back and adjacent cabinets or wall through case or other proper mechanical fasteners.

24" Wall, Double Door**W3024****W3624**

- Butt doors.
- One adjustable shelf.

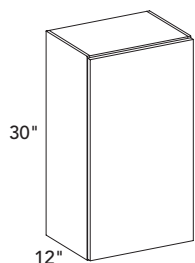
24" Wall Refrigerator, Double Door



W362424

- Butt doors.
- One adjustable shelf.
- 24" depth cabinets must be securely fastened to wall through cabinet back and adjacent cabinets or wall through case or other proper mechanical fasteners.

30" Wall, Single Door



W0930

W1230

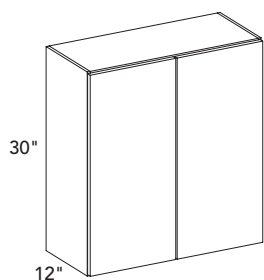
W1530

W1830

W2130

- Two adjustable shelves.

30" Wall, Double Door



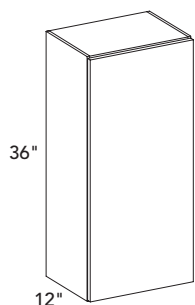
W2430	W3330
--------------	--------------

W2730	W3630
--------------	--------------

W3030	
--------------	--

- Butt doors.
- Two adjustable shelves.

36" Wall, Single Door



W0936

W1236

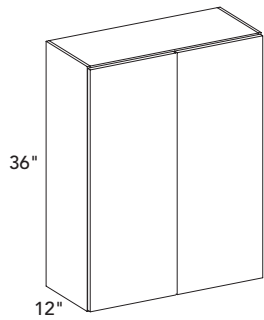
W1536

W1836

W2136

- Two adjustable shelves.

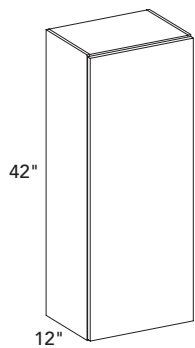
36" Wall, Double Door



W2436	W3336
W2736	W3636
W3036	

- Butt doors.
- Two adjustable shelves.

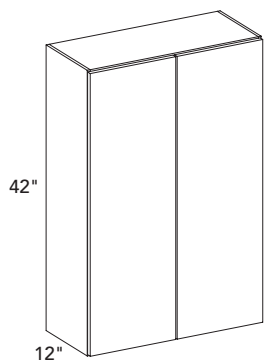
42" Wall, Single Door



W0942
W1242
W1542
W1842
W2142

- Three adjustable shelves.

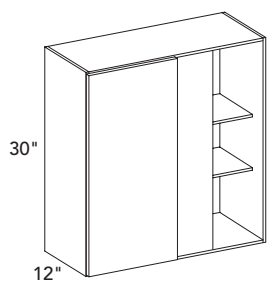
42" Wall, Double Door



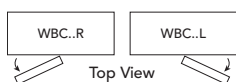
W2442	W3342
W2742	W3642
W3042	

- Butt doors.
- Three adjustable shelves.

30" Wall Blind Corner, Single Door



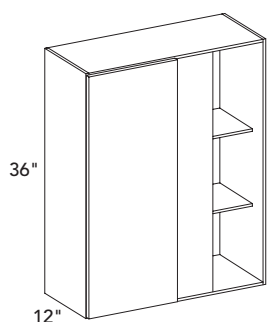
WBC3030R shown



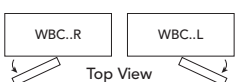
WBC3030

- Two adjustable shelves.
- Cabinet can be pulled from wall.
- Must order filler for return.
- L and R indicate location of void.
- Door hinged on same side as void.

36" Wall Blind Corner, Single Door



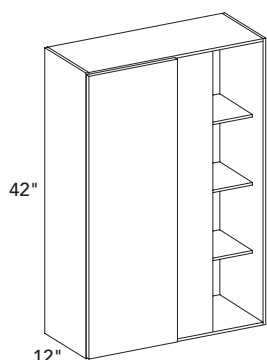
WBC3036R shown



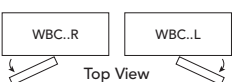
WBC3036

- Two adjustable shelves.
- Cabinet can be pulled from wall.
- Must order filler for return.
- L and R indicate location of void.
- Door hinged on same side as void.

42" Wall Blind Corner, Single Door



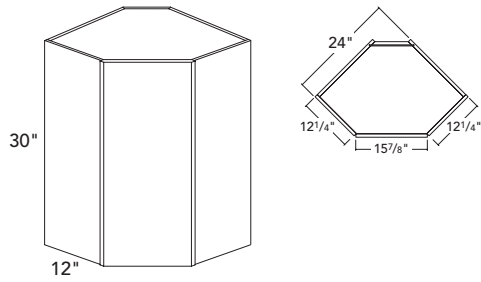
WBC3042R shown



WBC3042

- Three adjustable shelves.
- Cabinet can be pulled from wall.
- Must order filler for return.
- L and R indicate location of void.
- Door hinged on same side as void.

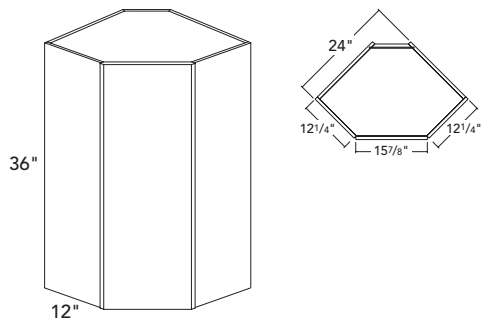
30" Wall Diagonal Cabinet



WDC2430

- Two adjustable shelves.
- Requires 24" x 24" of wall space.

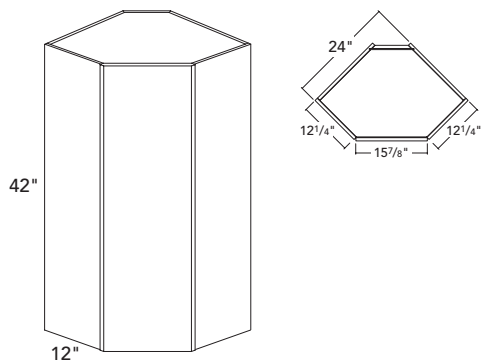
36" Wall Diagonal Cabinet



WDC2436

- Two adjustable shelves.
- Requires 24" x 24" of wall space.

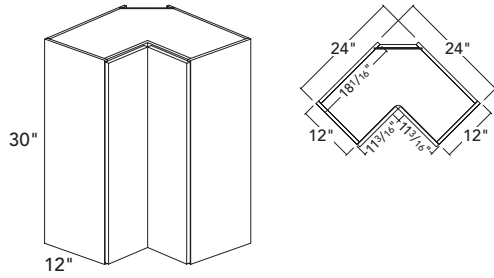
42" Wall Diagonal Cabinet



WDC2442

- Three adjustable shelves.
- Requires 24" x 24" of wall space.

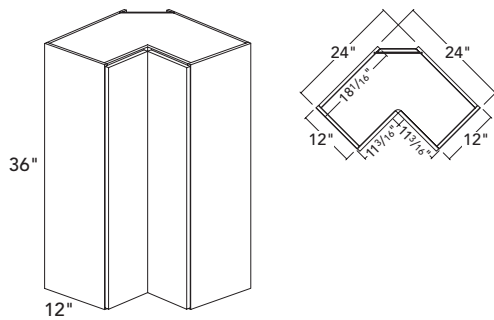
30" Wall Easy Reach



WLS2430

- Two adjustable shelves.
- Requires 24" x 24" of wall space.

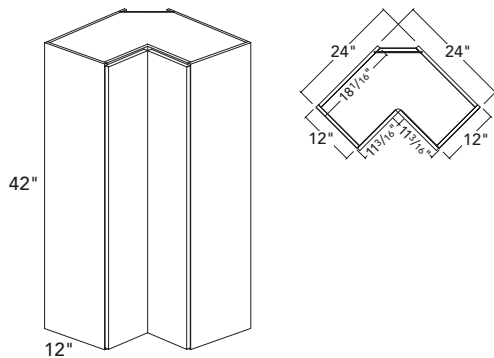
36" Wall Easy Reach



WLS2436

- Two adjustable shelves.
- Requires 24" x 24" of wall space.

42" Wall Easy Reach

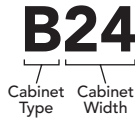


WLS2442

- Three adjustable shelves.
- Requires 24" x 24" of wall space.

BASE CABINETS

BASE CABINET NOMENCLATURE

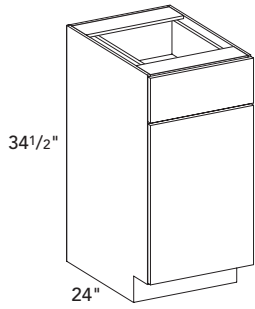


Base Cabinets with Drawers	13
Base Cabinets Full Height Doors.....	13
Base Pull-out Cabinets.....	14
Base Trash Cabinets.....	14
Two Drawer Base Cabinets.....	15
Three Drawer Base Cabinets	15
Sink Base Cabinets.....	15
Base Blind Corner Cabinets.....	16
Base Lazy Susan Cabinets.....	17

- Standard base cabinets are 34½" high and 24" deep.

NOTE: Illustrations depict Euro cabinets.

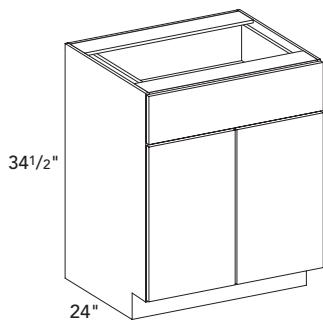
Base, Single Door



B09
B12
B15
B18
B21

- One adjustable 15" deep shelf.
- Drawer height 6", door height 24".

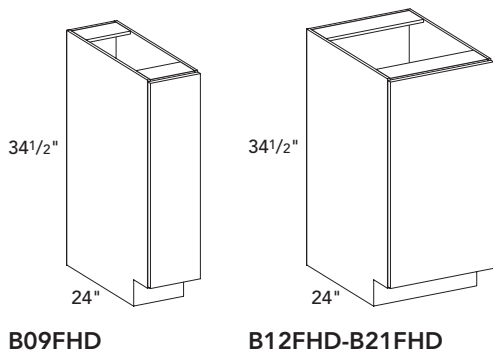
Base, Double Door



B24	B33
B27	B36
B30	

- Butt doors.
- One adjustable 15" deep shelf.
- Drawer height 6", door height 24".

Base Full Height, Single Door

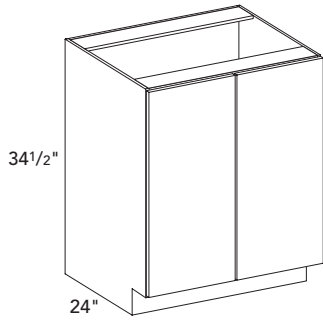


B09FHD
B12FHD
B15FHD
B18FHD
B24FHD

- One adjustable 15" deep shelf.

BASE

Base Full Height, Double Door



B24FHD

B27FHD

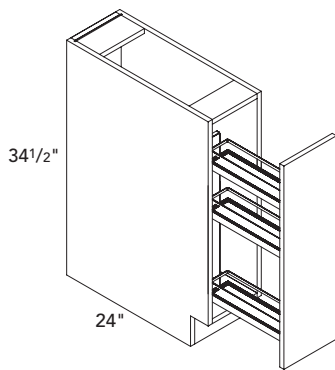
B30FHD

B33FHD

B36FHD

- Butt doors.
- One adjustable 15" deep shelf.

Base Spice Pull-out Cabinet



SP09L

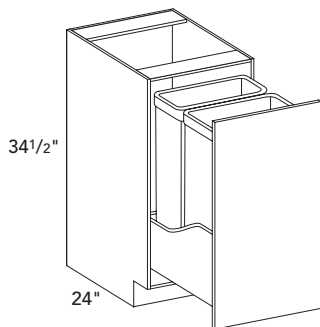
SP09R

SP12L

SP12R

- Three adjustable wire shelves.
- L or R indicates inside wall to which pull-out hardware is attached.

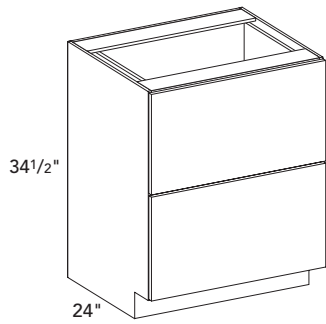
Base Trash Cabinet



BWBK18-2

- Full height pull-out door.
- Two trash bins.

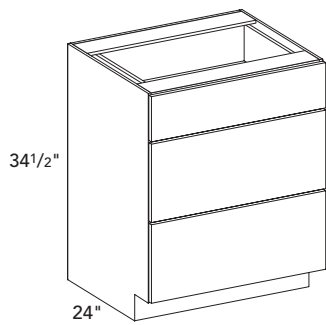
Two Drawer Base



2DB24
2DB30
2DB36

- Two 15" high drawers.

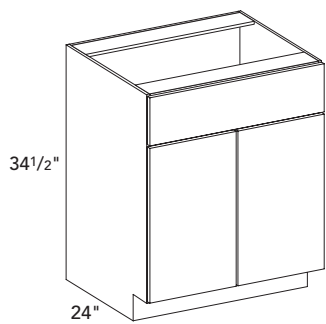
Three Drawer Base



3DB12	3DB24
3DB15	3DB27
3DB18	3DB30
3DB21	3DB36

- One 6" high and two 12" high drawers.

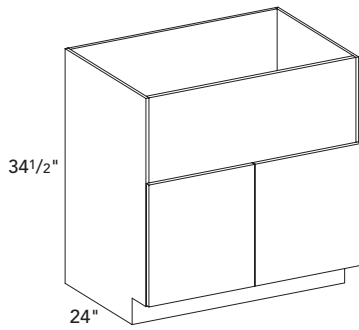
Sink Base, Double Door



SB30
SB33
SB36

- Butt doors.
- One 6" high false drawer panel.

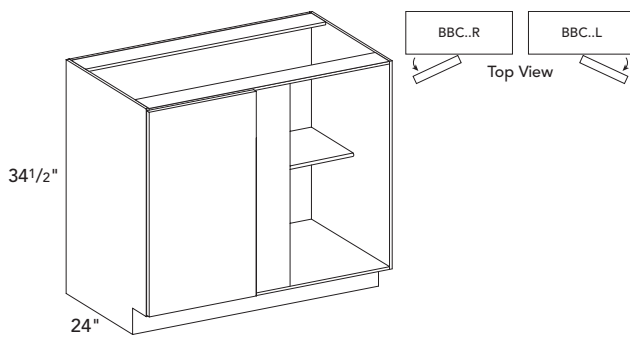
Farm Sink Base



FSM36

- Butt doors.
- Door height 18".
- Requires additional field support and must be cut on-site according to sink size and manufacturer specifications.

Base Blind Corner



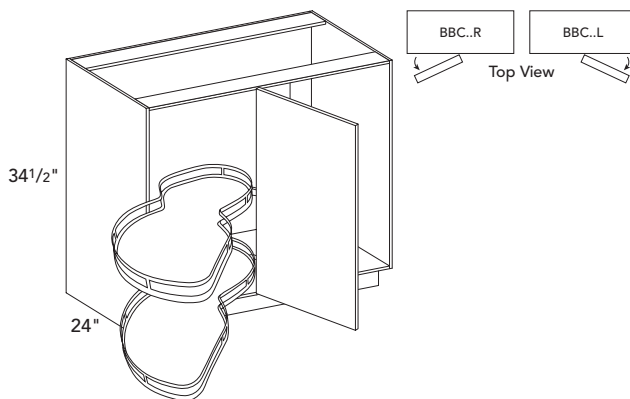
BBC42L

BBC42R

- Cabinet can be pulled from wall.
- Must order filler for return.
- L and R indicate location of void.
- Door hinged on same side as void.

BBC42R shown

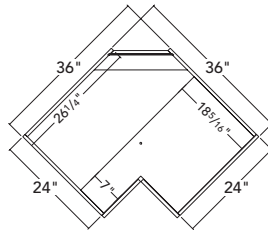
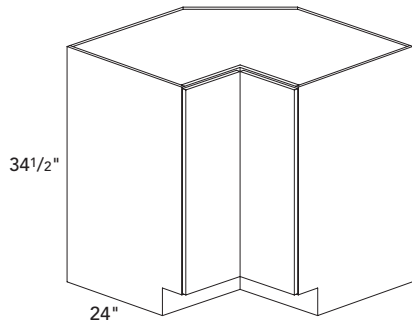
Base Blind Corner with Swing-out Trays



BBC42

- Cabinet can be pulled from wall.
- Must order filler for return.
- Door hinged on same side as void.

Base Lazy Susan, 36" x 36"



BLS36

BASE

TALL CABINETS

TALL CABINET NOMENCLATURE

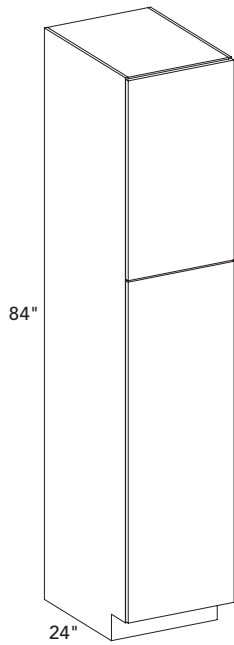
PC248424

Cabinet Type Cabinet Width Cabinet Height Cabinet Depth

84" Pantry Cabinets.....	19
90" Pantry Cabinets.....	20
96" Pantry Cabinets.....	21
Tall Oven Cabinets.....	22

- Standard tall cabinets are 24" deep.
- NOTE: Illustrations depict Euro cabinets.

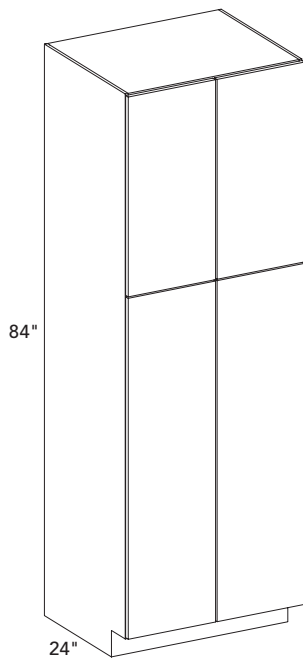
84" Pantry Cabinet, Single Door



PC188424

- One fixed shelf and four full depth adjustable shelves.

84" Pantry Cabinet, Double Door



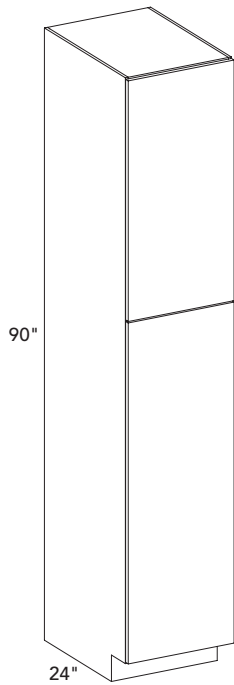
PC248424

PC308424

- Butt doors.
- One fixed shelf and four full depth adjustable shelves.

TALL

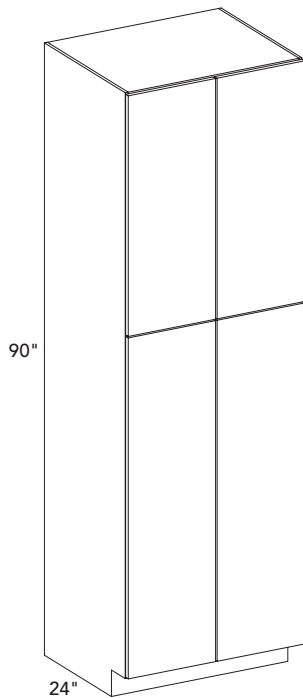
90" Pantry Cabinet, Single Door



PC189024

- One fixed shelf and four full depth adjustable shelves.

90" Pantry Cabinet, Double Door



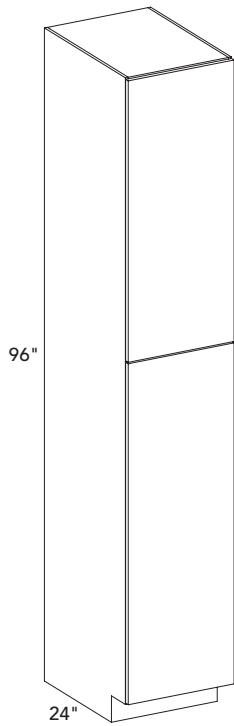
PC249024

PC309024

- Butt doors.
- One fixed shelf and four full depth adjustable shelves.

TALL

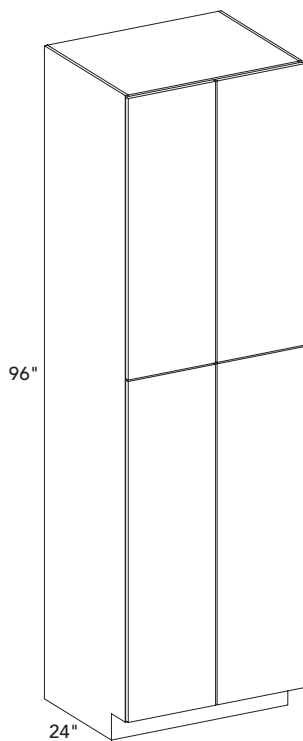
96" Pantry Cabinet, Single Door



PC189624

- One fixed shelf and five full depth adjustable shelves.

96" Pantry Cabinet, Double Door



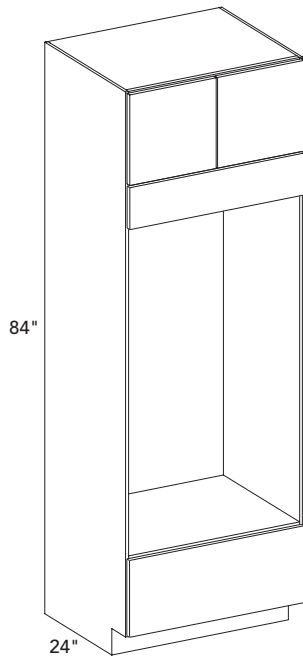
PC249624

PC309624

- Butt doors.
- One fixed shelf and five full depth adjustable shelves.

TALL

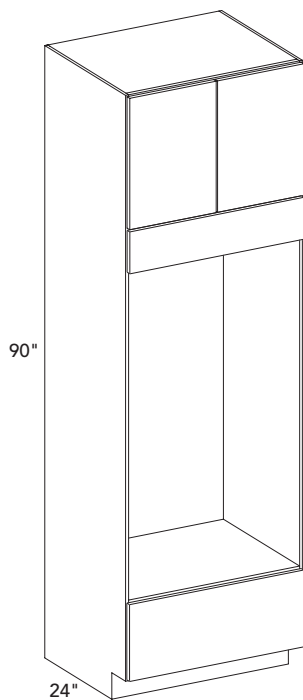
84" Oven Cabinet, One Drawer



OC308424

- Butt doors.
- Oven cut-out can be modified/cut in field.
- Maximum oven cut-out is same as the case.
- Remove drawer for increased oven cut-out height.

90" Oven Cabinet, One Drawer

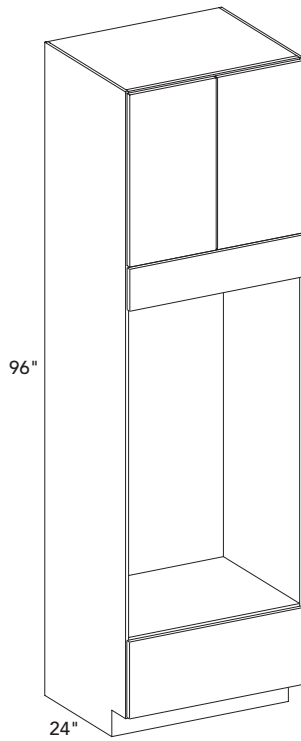


OC309024

- Butt doors.
- Oven cut-out can be modified/cut in field.
- Maximum oven cut-out is same as the case.
- Remove drawer for increased oven cut-out height.

TALL

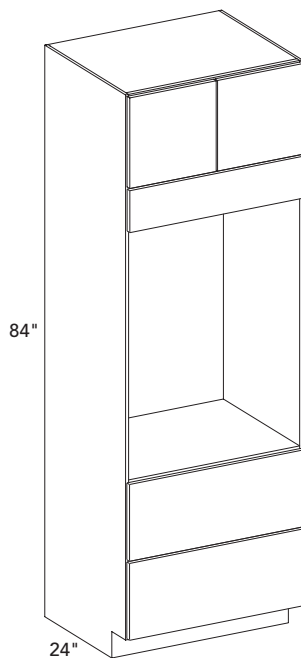
96" Oven Cabinet, One Drawer



OC309624

- Butt doors.
- Oven cut-out can be modified/cut in field.
- Maximum oven cut-out is same as the case.
- Remove drawer for increased oven cut-out height.

84" Oven Cabinet, Two Drawer

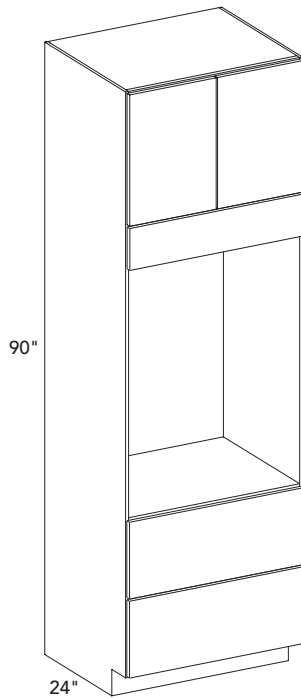


OC308424-2

- Butt doors.
- Oven cut-out can be modified/cut in field.
- Maximum oven cut-out is same as the case.
- Remove drawers for increased oven cut-out height.

TALL

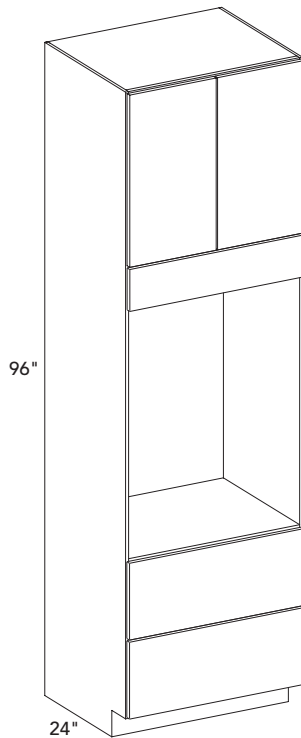
90" Oven Cabinet, Two Drawer



OC309024-2

- Butt doors.
- Oven cut-out can be modified/cut in field.
- Maximum oven cut-out is same as the case.
- Remove drawers for increased oven cut-out height.

96" Oven Cabinet, Two Drawer



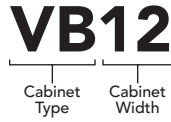
OC309624-2

- Butt doors.
- Oven cut-out can be modified/cut in field.
- Maximum oven cut-out is same as the case.
- Remove drawers for increased oven cut-out height.

TALL

VANITY CABINETS

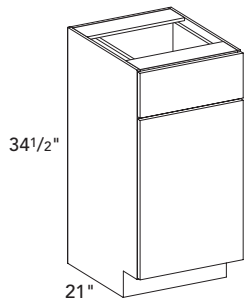
VANITY CABINET NOMENCLATURE



Vanity Base Cabinets with Drawers	26
Vanity Three Drawer Base Cabinets	26
Vanity Sink Base Cabinets.....	26
Floating Vanity Cabinets.....	27

- Standard vanity cabinets are 21" deep.
- NOTE: Illustrations depict Euro cabinets.

34½" Vanity Base with Drawer, Single Door



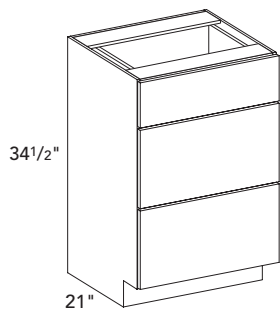
VB12

VB15

VB18

- One adjustable 15" deep shelf.
- Drawer height 6", door height 24".

34½" Vanity Three Drawer Base



VDB12

VDB15

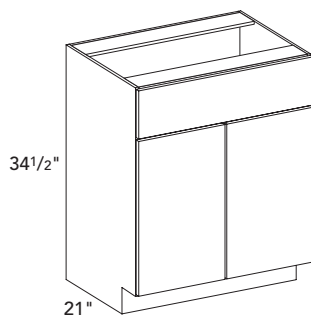
VDB18

VDB21

VDB24

- One 6" high and two 12" high drawers.

34½" Vanity Sink Base, Double Door



VS24

VS27

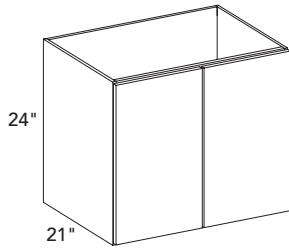
VS30

VS33

VS36

- Butt doors.
- One 6" high false drawer panel.

24" Floating Vanity Base, Double Door



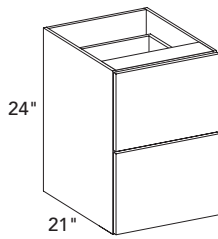
FVB24

FVB30

FVB36

- Butt doors.
- One adjustable 15" deep shelf.

24" Floating Vanity Drawer Base



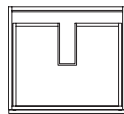
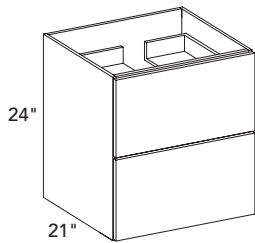
FVDB12

FVDB15

FVDB18

- Two 12" high drawers.

24" Floating Vanity Sink Drawer Base



Top View

FVSD24

FVSD30

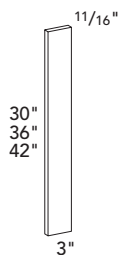
FVSD36

- Two 12" high drawers.
- Drawer boxes are U-shaped.

TRIM

Fillers.....	29
Panels.....	30
False Doors	31
Mouldings	32
Accessories	33

3" Wall Filler



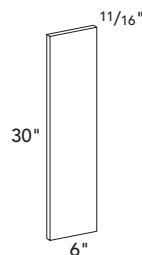
WF330

WF336

WF342

- Finished five sides.

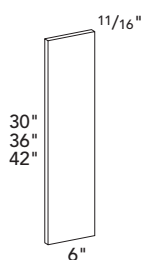
6" Base Blind Corner Filler



BBCF630

- Finished three sides.

6" Wall Filler



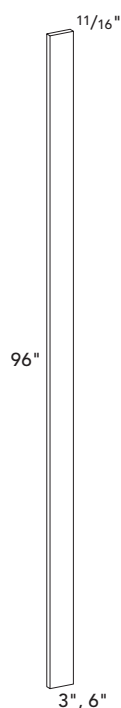
WF630

WF636

WF642

- Finished five sides.

Tall Filler

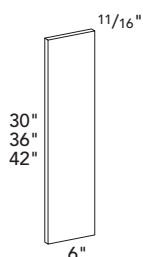


TF3-96

TF6-96

- One 8' section.

6" Wall Blind Corner Filler



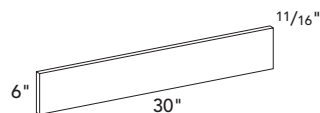
WBCF630

WBCF636

WBCF642

- Finished five sides.

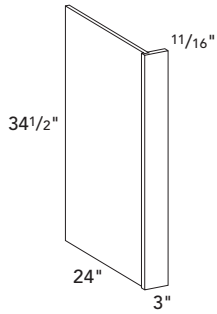
6" Oven Cabinet Filler



OCF306

- Finished five sides.

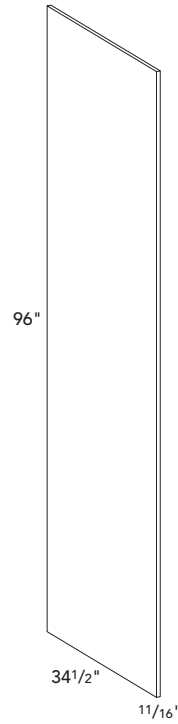
Dishwasher Return



DWR3

- Vertical grain.
- Interior panel finished same as door. Top, bottom, and back edges are not finished.
- Order 6" filler if greater return required.

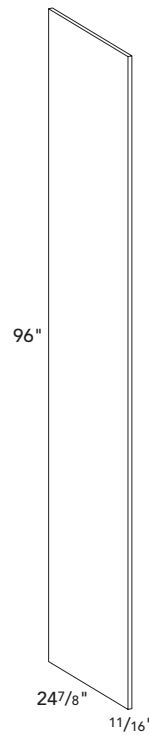
Panel with Vertical Grain



PNL34.5-96-3/4

- One 8' section.
- Vertical grain.
- Interior is natural woodgrain melamine.
- Specify finish for exposed side.
- No edgeband on 1/4" thick.

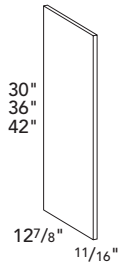
Refer Panel



REP9625

- One 8' section.
- Finished both sides.
- Edgebanded on one 96" edge.

False Door



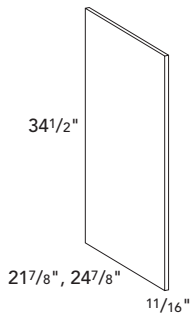
FD1330

FD1336

FD1342

- Vertical grain.
- Interior is natural woodgrain melamine.
- Specify finish for exposed side.
- Edgebanded on one short and one long edge.

Base False Door

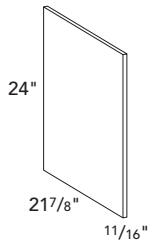


BFD22

BFD25

- Vertical grain.
- Interior is natural woodgrain melamine.
- Specify finish for exposed side.
- Edgebanded on one long edge.

Floating Base False Door



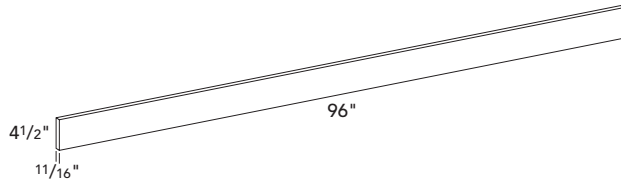
FBFD22

- Vertical grain.
- Interior is natural woodgrain melamine.
- Specify finish for exposed side.
- Edgebanded on one long edge.

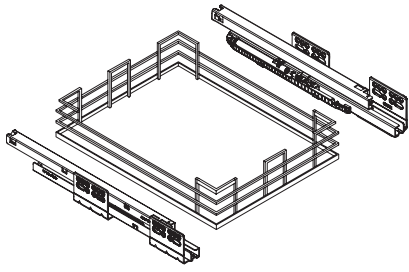
Toekick

TK8

- One 8' section.
- Bold line indicates finished edge.



Roll-out Tray Kit



ROT18

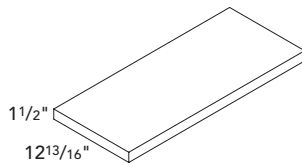
ROT24

ROT30

ROT36

- Each kit includes one tray, plus hardware.
- Install in field.

Floating Shelf



FS30

FS36

- Includes one shelf, plus hardware.
- Install in field.

NOTES

